



Heatsource HS2000E
Gas and Electric
Space Heater



Vehicle Installation &
Operation Instructions
From April 2018

INSTALLATION AND USER INSTRUCTIONS

Read the following carefully before installation

SPECIFICATION

Model: HS0011

Maximum dimensions: Height: 115 mm, Width: 200 mm, Length: 570 mm

Countries of Destination:

AT,BE,BG,CH,CY,CZ,DE,DK,EE,ES,FI,FR,GB,GR,HU,HR,IE,IS,IT,LT,LU,LV,MT,NL,NO,PT,SE,SI,SK
,TR

Weight: Inside vehicle installation 6.3 kg

Gas: Butane 28-30mbar - CAT I₃₊ (28-30/37), Butane/Propane 30mbar - CAT I_{3B/P} (30)

Propane 37mbar - CAT I_{3p} (37)

Gas Consumption (M) 148g/h

Classification of Heater: Type: C₅₃ (Fanned)

Nominal heat input: Gas 2.0kW

Nominal heat input Electric 2.0kW.

Mains Electric:

Nominal voltage: 230V a.c. 50Hz

Power options: 500/1000/2000W

Maximum current a.c.: 9 Amps

Battery Supply

Nominal voltage: 12V d.c.

Operating range: 10.0V d.c. min. to 15V d.c. max.

Maximum current d.c. gas operation: 1.8 Amps (0.01Amps on standby)

Maximum current d.c. electric operation: 2.4 Amps (0.01Amps on standby)

Dry Storage temperature: -20°C to 70°C

Hot air duct diameter: 60mm ID

Flue diameter: 22mm ID

Maximum exhaust flue length: 2m

Minimum exhaust flue length: 0.75m

Maximum air flue length: 2.00m

Minimum air flue length: 1.00m

Ensure the position allows access for servicing the Space Heater and that there is a minimum of 25mm distance around the heater to adjacent walls when mounted inside the vehicle.

Propex's policy is one of continuous improvement and we reserve the right to change specifications without prior notice.

4. WARNINGS

The Propex Space Heater has been designed for caravan, motor home and mobile applications, and is more than adequate for typical recreational vehicle use. The Propex Space Heater is designed to be installed in conjunction with a ducted hot air system.



This symbol indicates that this appliance is suitable for use in Leisure Accommodation Vehicles.



This symbol indicates that this appliance is suitable for use in boats when the correct flue terminal is used.

Observe all warnings.

In the unlikely event of leaks in the gas system, or if there is a smell of gas:

- Extinguish all naked flames
- Do not operate any electrical switches
- Turn off all gas appliances
- Open windows and doors for ventilation
- Do not smoke
- Shut off gas connection

Get the system thoroughly checked by a registered gas engineer.

- The space heater shall not be operated in the following situations:
 - When refuelling the vehicle, the vehicle towing the caravan, or other appliances
 - When the vehicle in which the heater is installed is in motion.
 - When the vehicle in which the heater is installed is in a confined space such as a garage

This appliance is not intended for use by persons (including children) with reduced physical, sensory or mental capabilities, or lack of experience and knowledge, unless they have been given supervision or instruction concerning use of the appliance by a person responsible for their safety. Children should be supervised to ensure that they do not play with the appliance.

Ensure that a minimum of one hot air outlet vent is permanently open at all times. This should ideally be the first outlet and not more than approximately 1 metre from the heater.

Any alteration to the appliance, including flue components, use of non-Propex spare parts/accessories and non-observation of the installation and operation instructions shall lead to cancellation of the warranty and exclusion of liability claims and results in it becoming illegal to use the appliance.

Please note that incorrect installation, misuse or use of non original Propex parts may invalidate the warranty. It also becomes illegal to use the appliance if incorrectly installed, and in some countries this even makes it illegal to use the vehicle.

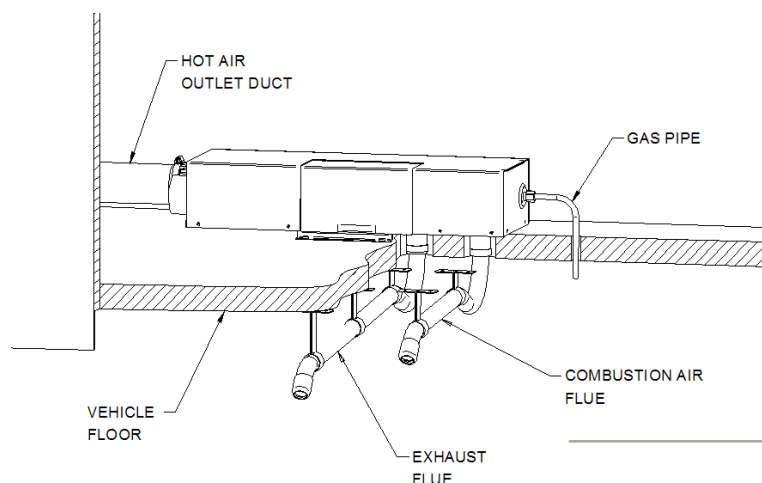
When operating using gas, the combustion air flue and outlet opening for the products of combustion (exhaust flue) shall never be obstructed. They should be checked regularly, and if necessary cleaned by the user (e.g. in winter, snow shall be removed from the combustion outlet and air intake).

Where the open end of the exhaust flue terminates, three sides of the under-floor space are to be kept open and not obstructed, and not contain through floor ventilation openings.

The heater, its gas supply, and flues for the products of combustion are to be inspected in accordance with national regulations or if these do not exist, the manufacturer's recommendations, however, it is advised that this should be done at least annually.

Please Note: The heater and ducts will become hot. Please avoid anything directly touching the heater or ducts.

INSTRUCTIONS FOR INSTALLATION



To the Fitter:

Installation and servicing of this appliance must only be carried out by competent persons registered with the Gas Safe Register (GB) or the relevant national organisation, in accordance with the relevant regulatory and safety requirements.

Before installation ensure the appliance has been supplied in good condition and if damaged do not install.

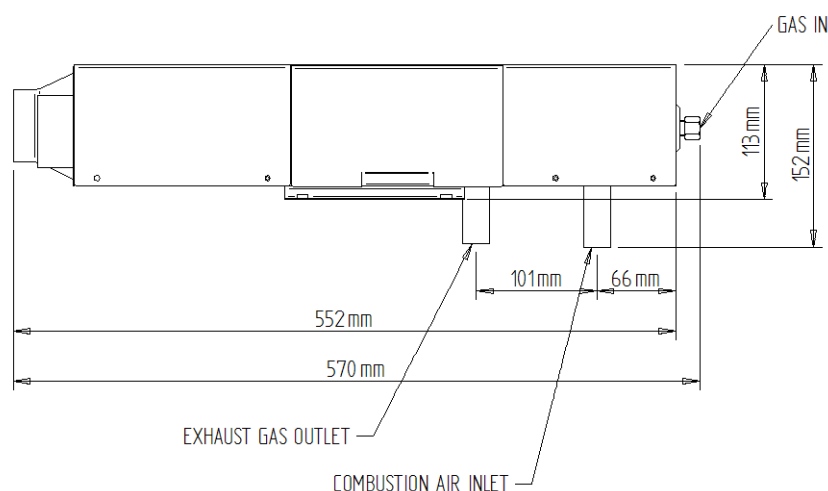
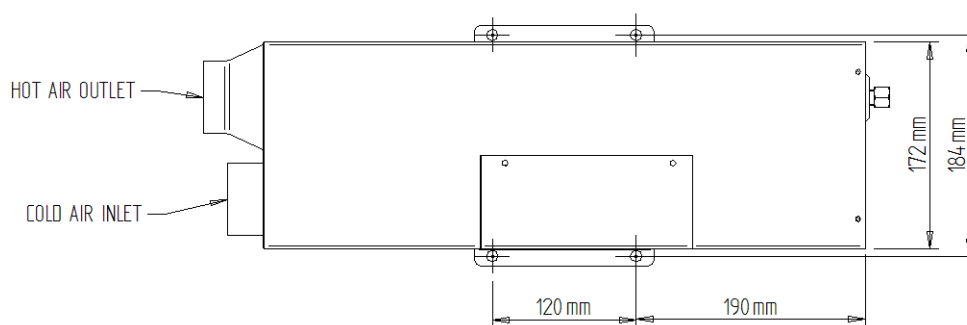
A competent person should install the appliance in accordance with the appliance installation instructions. This appliance is for use with LPG (see appliance data plate) and mains electricity (230V a.c.). Check that the product is suitable for the intended application in particular the installer must check the compatibility of the data plate information with the LPG supply requirements of the vehicle. Follow these installation instructions and ensure all relevant personnel read the points listed below. Also ensure that these operating instructions are passed on to the end user.

Please note: The appliance should be installed in accordance with any relevant regulations in the country where the appliance is installed. For this appliance in Europe the standard is BS EN 1949:2002 "Specification for the installation of LPG systems for habitation purposes in leisure accommodation vehicles and in other road vehicles".

Ventilation must comply with relevant national and/or local requirements.

DIMENSIONS

In vehicle installation

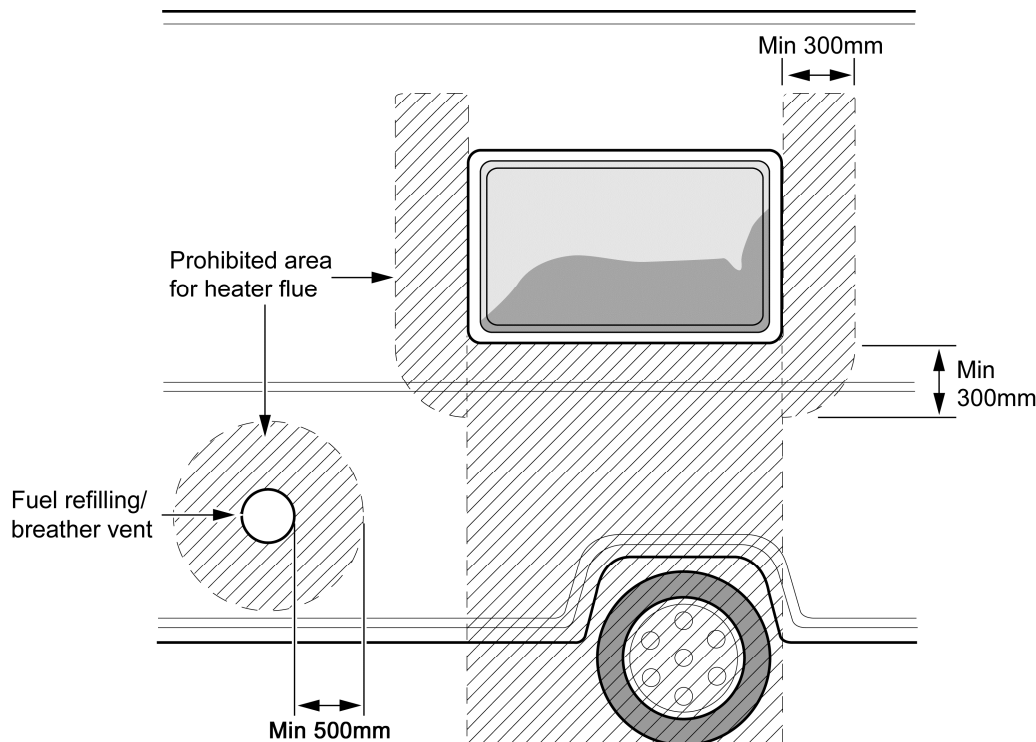


Step 1 Find suitable location for Space Heater Installation

Consider the following points:

- i. For weight distribution in caravans aim to position the Space Heater as near to the axle as possible. You should avoid (where possible) locating at the very rear and preferably avoid the very front.
- ii. Please note: The heater, ducts and flues will become hot. Please avoid anything directly touching these.
- iii. Ensure the position allows access for servicing the Space Heater and that there is a minimum of 25mm distance around the heater to adjacent walls.
- iv. The hot air outlet of the heater is to be fitted to the hot air ducting system. The heater should be positioned to minimise the amount of ducting required and sharp bends in the ducting should be avoided.
- v. In selecting the position of the Space Heater, ensure that the exhaust flue and combustion air flues can be installed avoiding all chassis members and gas pipes etc. that are located underneath the floor. Remove the flue template from the back of the instruction manual and use this to find a suitable location.
- vi. The open end of the exhaust flue must not be fitted at the side of the caravan / motorhome where an awning may be fitted. It is thus preferable to install the heater on the opposite side of the caravan / motorhome to avoid routing the exhaust flue to the far side of the caravan / motorhome.

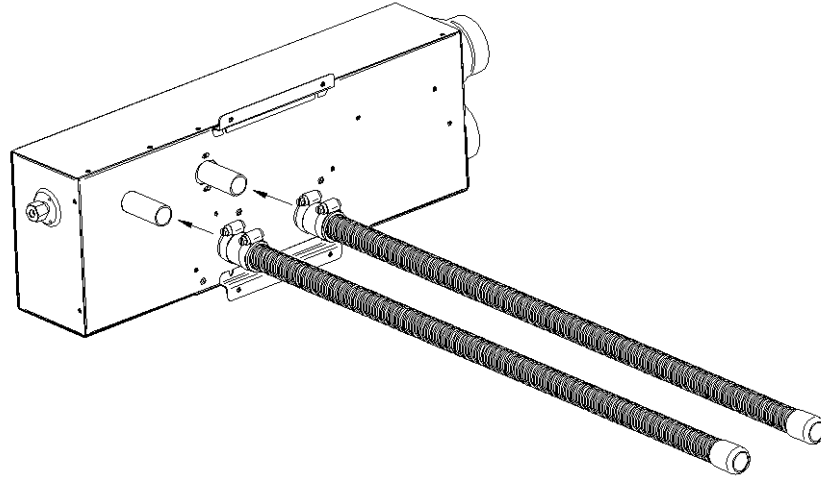
- vii. Only Propex supplied flue components are permitted to be used. The open end of either flue must not be positioned within 500mm of a refuelling point or fuel tank breather outlet or any ventilator from the fuel system(s). The exhaust flue must not be fitted within 300mm of a ventilator for the living space or an opening part of a window. The open end of the exhaust flue must be positioned at least 500mm from the open end of the combustion air flue and be pointing in the same direction. The exhaust flue should be positioned at the side or end of the caravan / motorhome. The exhaust flue may be positioned vertically below an opening part of a window if the appliance is fitted with an automatic shut-off device to prevent operation when the window is open.



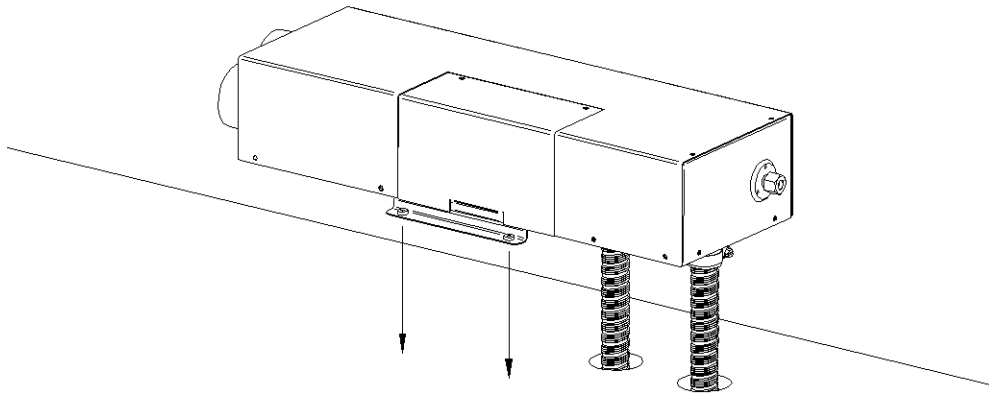
- viii. The combustion air flue can be terminated underneath the vehicle. The open end of it must be least 500mm away from the open end of the exhaust flue, and pointing in the same direction. Take care to ensure that both flues have a slight downward slope from as close to the heater as possible to prevent any possibility of water traps. Make sure neither the exhaust nor the combustion air flues are terminated in an under-floor box section.
- ix. The minimum length of the exhaust flue is 0.75m, and maximum length 2m. The combustion air flue length must be 1.00m min and 2.00m max.
- x. When operating using gas, the combustion air flue and outlet openings for the products of combustion (exhaust flue) must never be obstructed. They should be checked regularly, and if necessary cleaned by the user (e.g. in winter, snow shall be removed from the combustion flue outlet and combustion air intake).
- xi. Where the open end of the exhaust flue terminates, three sides of the under-floor space are to be kept open and not obstructed, and not contain through floor ventilation openings.
- xii. The heater, its gas supply, ducting and flues are to be inspected in accordance with national regulations or if these do not exist, the manufacturer's recommendations, however, it is advised that this should be done at least every year.
- xiii. The heater must not be used when the vehicle is in motion.

Cut out holes for exhaust and combustion air flues

Position the template on the floor where the heater is to be mounted. Mark the position of the two holes for the combustion air and exhaust flues then drill holes with a 51mm (2") minimum diameter hole saw.

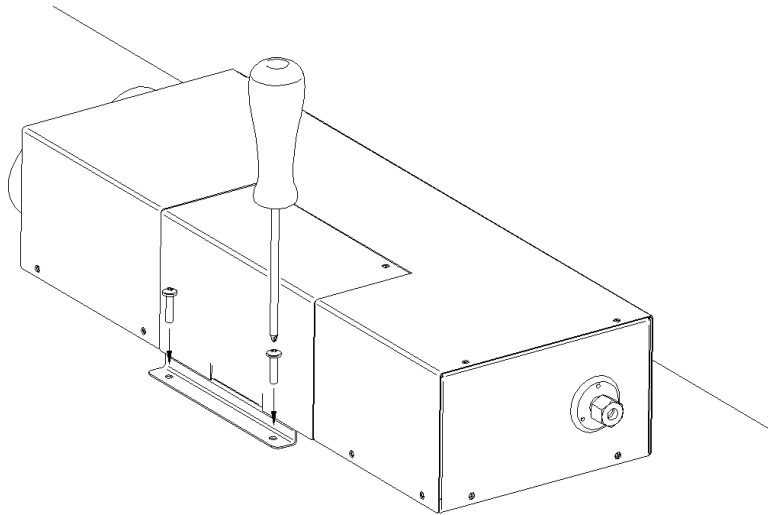


Push on the ends of the flues with the blue adaptor to the pipes on the underside of the Space Heater ensuring they are fully pushed on, and secure with supplied hose clips.



Step 3

From inside the vehicle feed the exhaust and combustion air flues through the holes drilled on the floor. Locate the heater so that the flues are centralised in the holes and attach heater to floor with 4 screws supplied (No. 8 x 3/4")



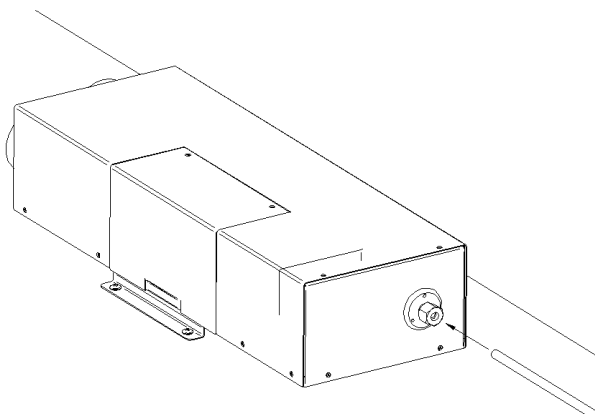
Push on the ends of the flues to the pipes on the underside of the Space Heater ensuring they are fully pushed on, and secure with supplied hose clips.

When mounting the combustion air and exhaust flues, they should ideally run downwards from the heater to their open end to allow any condensation to drain out. The open ends should be angled downwards to prevent rain from entering. Care should be taken to route exhaust flues around chassis members and avoiding gas pipes and wires. The flues should otherwise be kept as straight as possible.

Please Note:- The exhaust flue should be positioned at the side or the rear end of the vehicle. The open end of the combustion air flue must be at least 500mm away from the open end of the exhaust flue and pointing in the same direction.

The combustion air flue is attached to the underside of the floor with two of the brackets supplied. The remaining brackets supplied with the flue kit are used to attach the exhaust flue. Clip the bracket around the flue and use two screws (No.8 x $\frac{3}{4}$ ") to attach each bracket to the floor.

Connect to gas supply



The appliance should be installed by a competent person in accordance with the installation instructions and comply with any relevant regulations in the country where the appliance is installed.

The Space Heater is supplied with a compression nut and olive for 8mm (5/16") pipe. The supply pipe should be checked and be free from dirt or other particles before connection to the compression joint on the space heater. The supply pipe should be routed so that the appliance can be removed for servicing.

A gas shut off valve should be located in the vicinity of the space heater and all connections should be kept to a minimum.

It is recommended that a gas pressure test point is be fitted to the inlet of the appliance.

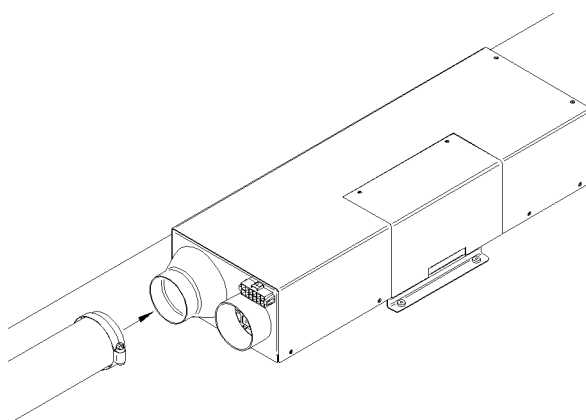
When the gas line is complete all joints should be tested for leaks using leak detection solution – Never with a naked flame.

The gas pressure should be verified at the pressure test point.

Note: The operating pressure for the gas supply should be either 28-30mBar Butane or 30mbar/37mbar Propane.

Fitting Hot Air Ducts

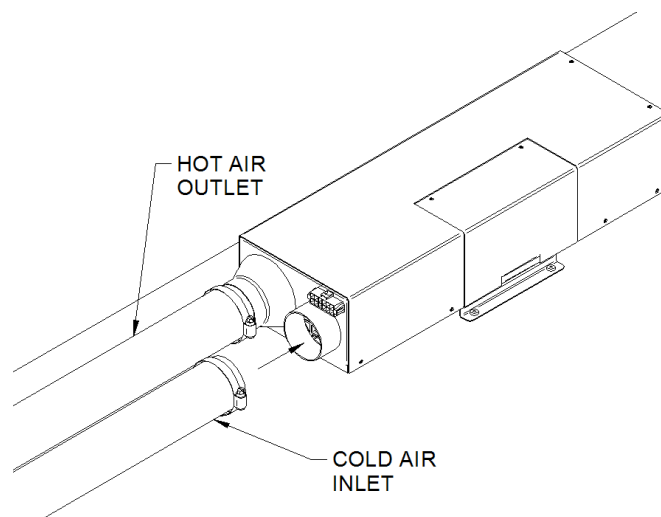
Place a hose clip over the hot air duct then push on to the hot air outlet nozzle and tighten the hose clip.



Important:- Ensure that a minimum of one hot air outlet vent is permanently open at all times. This should ideally be the first outlet and not more than approximately 1 metre from the heater.

Fitting Cold Air Supply

The Propex Space Heater must be adequately supplied with cold air. If the heater is installed in a bed box or another confined space, either vents into the area must be fitted or ducting used to supply the heater with cold air. If a vent is fitted, it must be no smaller than one designed for use with 60mm ducting. If ducting is fitted it should supply air from the living space of the vehicle. To fit the ducting, place a hose clip over the end, then push on to the cold air inlet nozzle then tighten the hose clip.



Mounting of the Propex Control Panel

When mounting the Propex control panel find a suitable convenient and accessible position. For good temperature control select a position away from draughts and approximately 1.5m above the floor. Ensure suitable access for wiring loom connection and cable. Note that the cable to connect the control panel to the space heater is 3.5m long. The minimum depth behind panel for wiring must be 40mm.

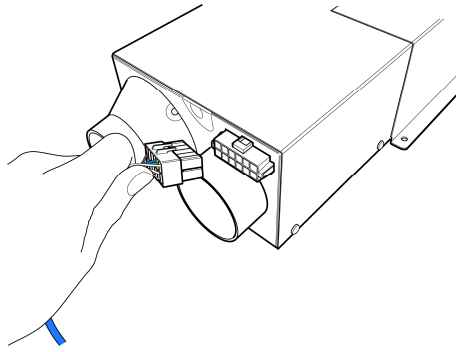
When you have chosen the location, drill a pilot hole in the area you expect to retrieve the heater cable. If the clearance is OK, open the pilot hole out to 20mm. Remove the two blanking plugs from their transit posts on the rear of the thermostat. Push the connector on the rear of the thermostat through the hole and fix the thermostat into position using the two screws provided. Once happy with the installation cover the holes with the blanking plugs. Take the 6 and 3 core loom from the heater and connect to the plug on the rear of the thermostat ensuring that the latches are mating correctly. If access to the rear of your panel is limited then pull the cable end from the heater through your previously drilled hole and make the connections before pushing it back through the hole, you may find you need to drill a 25mm hole if using this method.

Electrical Connections 12V

Run the red (12v+) and white (12v-) cable to a convenient DC supply (usually at the battery) and connect using the fuse holder supplied. Check battery is 12v. Refer to data label for heater voltage. Insert the 5 amp fuse and test. Ensure ALL electrical connections are completed before connecting to supply.

The space heater and control panel come complete with electrical connectors fitted.

Please note: We recommend that a 5 amp automotive fuse is fitted in the 12v supply.



Electrical Connection 230v

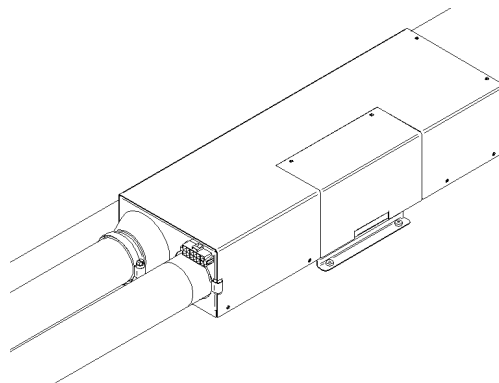
The appliance should be installed in accordance with the installation instructions and comply with any relevant regulations in the country where the appliance is installed. Electrical installation should be carried out by a suitably qualified electrician. The electrical supply must be connected to a 13 amp fused spur provided with an all-pole disconnection and the appliance must be earthed.

Please Note: If the supply cable is damaged it must be replaced by the manufacturer or a Propex Approved Technician.

Warning: The appliance must not be supplied through an external switching device, such as a timer, or a circuit that is regularly switched. This is to avoid an inadvertent resetting of the thermal cut out.

Ensure the Space Heater is not located immediately below the electrical supply socket.

Completed installation



Please note: After completing the installation, carry out a full function check including gas soundness to ensure the appliance has been installed and operates correctly. The gas soundness check must be carried out by an accredited LPG gas engineer and a test certificate issued.

INSTRUCTIONS FOR USE

To the User:

Read the following instructions carefully.

Observe all warnings.

In the unlikely event of leaks in the gas system, or if there is a smell of gas:

- Extinguish all naked flames
- Do not operate any electrical switches
- Turn off all gas appliances
- Open windows and doors for ventilation
- Do not smoke
- Shut off gas connection

Get the system thoroughly checked by a Propex Approved Service Centre / Technician.

- The space heater shall not be operated in the following situations:
 - When refuelling the vehicle, the vehicle towing the caravan, or other appliances.
 - When the vehicle in which the heater is installed is in motion unless fitted with the correct flue terminal.
 - When the vehicle in which the heater is installed is in a confined space such as a garage.

CAUTION – Some parts of this product can become very hot and cause burns. Particular attention has to be given where children and vulnerable people are present.

This appliance is not intended for use by persons (including children) with reduced physical, sensory or mental capabilities, or lack of experience and knowledge, unless they have been given supervision or instruction concerning use of the appliance by a person responsible for their safety. Children should be supervised to ensure that they do not play with the appliance.

Ensure that a minimum of one hot air outlet vent is permanently open at all times. This should ideally be the first outlet and not more than approximately 1 metre from the heater.

When operating using gas, the combustion air flue and outlet openings for the products of combustion (exhaust flue) shall never be obstructed. They should be checked regularly, and if necessary cleaned by the user (e.g. in winter, snow shall be removed from the combustion outlet and air intake).

Where the open end of the exhaust flue terminates, three sides of the under-floor space are to be kept open and not obstructed, and not contain through floor ventilation openings.


The heater, its gas supply and flues for the products of combustion are to be inspected in accordance with national regulations or if these do not exist, the manufacturer's recommendations, however, it is advised that this should be done at least annually.

The Propex Space Heater should be checked periodically by a Propex approved Technician, or competent person, at least annually. This should be completed according to the practice in the country where it is used and according to the Propex instructions. We recommend annual testing of gas soundness and combustion by an accredited LPG gas engineer. The appliance contains ESD sensitive components and therefore should only be opened by Propex.

The inlet vents of the heater should never be blocked and ensure that a minimum of one hot air outlet vent is permanently open at all times.

OPERATING INSTRUCTIONS

For operation of the heater, a 12V d.c. supply must be connected at all times. To operate the heater's electric elements, it must also be connected to a suitable 230V a.c. supply.

Fan only operation. Turn the selector knob to the fan on () position.

Gas operation. Turn the selector knob to the gas on (flame) position. There will be a pre-purge pause of approx. 30 sec's to allow any un-burnt gas to leave the flue. A green LED will light upon successful flame ignition. If there is air in the gas supply line it may take a few attempts for the gas to ignite. See section 9 for gas lockout re-setting. If the ignition is not satisfactory the red LED will flash, refer to the trouble shooting guide (see section 9).

Electric operation. The space heater is equipped with 3 power settings 500W / 1000W / 2000W. Turn the selector knob to low power setting (~) for 500W. Turn the selector knob to medium power setting (≈) for 1000W. Turn the selector knob to high power setting (≈≈) for 2000W. When operating on low and medium electric power settings the blown air fan runs at a reduced speed to minimise noise and current draw.

Note: The electric elements will still operate if the appliance is in gas ignition lock-out.

The appliance cannot be operated simultaneously with both gas and mains electric heating.

Switching appliance off. Turn the selector knob to the Off position (●). Note that the fan will continue to run for 3 minutes to allow the heater to cool down.

Adjusting the temperature. Turn the temperature control knob clockwise to increase and anti-clockwise to reduce the room temperature. The heater will automatically turn itself on and off to maintain the desired ambient temperature. Note that the controls incorporate a low frost protection setting. This can be activated by turning the temperature control knob fully anti-clockwise.

8. MAINTENANCE

If the heater has not been used for some time dust may have settled inside the heater and the ducting. Run the heater on the "Fan only" setting until it clears. The outside of the appliance should not normally require cleaning. If it does, isolate the electrical supplies and wipe down with a soft, damp cloth only. Allow to fully dry before reconnecting the electrical supplies.

The Propex Space Heater should be checked periodically by a competent person, at least annually. This should be completed according to the practice in the country where it is used and according to the Propex instructions. We recommend annual testing of gas soundness and combustion by an accredited LPG gas engineer. The appliance contains ESD sensitive components and therefore should only be opened a Propex.

9. TROUBLE SHOOTING

The heater is equipped with an electronic diagnostic system which will detect fault conditions ranging from poor gas or d.c. supply to internal heater malfunctions. In the unlikely event of a failure, the red light on the control panel will flash a number of times, pause, and repeat until switched off. Count the number of flashes and refer to the table below.

Number of flashes	Fault	Remedy
1	No flame detected	Check gas supply making sure there is gas in the bottle and no blockage in the gas line. Ensure propane is used at temperatures below +5°C. Clear lockout as described below.
2	Overheat	Check the air ducts and vents are not blocked or restricted. We recommend you wait at least 5 to 10 minutes to allow the heater to cool before clearing lockout as described below.
3	Low/high supply voltage	Minimum operating voltage is 10V, maximum is 15V, when measured at the heater. Check battery voltage. If between 10V and 15V, check connections between heater and battery. Check alternator or external battery charging. Clear lockout as described below.
4	Combustion Air Fault	Check combustion air flue and exhaust flue for blockages.
5	Other / internal fault	Attempt to clear lockout as shown below. If this fails, contact Propex.
Solid	General	Two faults have occurred at the same time OR more than 5 lockout clearing attempts have been unsuccessful. Clear lockout as described on page 15.
No Flashing	PCB not powered up	Check the supply to the heater as above. Otherwise contact Propex.

Lockout Clearing Procedure

The lockout must be cleared by turning the 'Fan Only' setting on the control panel, 'on', 'off' and 'on' again within 2.5 seconds. If the first lockout reset attempt is unsuccessful, you can retry an additional 4 times. If the lockout still will not clear (identified by a solid LED), please turn off the heater, check the heater for faults, power up the heater and then further lockout reset attempts can be made.

If the problem persists contact **Propex**.

10. WINTERISING

When using the heater in winter ensure the flues are not blocked by snow or fallen leaves etc. When the Space Heater is not going to be used for a long period of time, we recommend that the open end of the combustion air and exhaust flue are covered to prevent ingress of leaves etc.

11. EU DECLARATION OF CONFORMITY

Description of Equipment: **Gas and Electric Space Heater**

Manufacturer's Declaration

We hereby declare, under our sole responsibility, that the above equipment complies with the provisions of the following EC Directives.

This product complies with the following directives and standards:

Gas Appliance Regulation (EU) 2016/426 (GAR) on the approximation of the laws of the Member States relating to appliances burning gaseous fuels.

Low Voltage Directive 2014/35/EU on the harmonization of the laws of the Member States relating to electrical equipment designed for use within certain voltage limits.

Electromagnetic Compatibility Directive 2014/30/EU, on the approximation of the laws of the Member States relating to electromagnetic compatibility.

Automotive EMC Directive 2004/104/EC (latest amendment 2009/19/EC) as per regulation 10.05

CE mark first affixed: **November 2009**

Basis on which conformity is declared

The above equipment complies with the protection requirements of the EMC Directive and the principal elements of the safety objectives of the Low Voltage Directive

This product complies with all relevant European directives and standards. Please contact Propex if further details are required.

PATENTS AND TRADEMARKS

The Propex Space Heater is protected by the following patent and design registration applications:

UK Patent application number: 0915825.4

WARRANTY

The Propex Space Heater is covered by a 3 year warranty.

Please complete the enclosed warranty card and return to Propex.

Manufactured by Munster Simms Engineering Ltd.

Distributed by: Propex Heating and Leisure Ltd
Unit 10, Carvers Trading Estate, Ringwood,
Hampshire, BH24 1JS

Telephone: +44(0) 1425 486 950
Website: www.propexheatsource.co.uk
Email: info@propexheatsource.co.uk